

PRODUCT INFORMATION

Air Leak Tester for micro volume parts



**LS-R740
SS**

LS-R740SS performs highly sensitive leak test on micro volume parts. The part to be tested is set on a fixture, and inside of the part is pressurized to measure the pressure change generated by leak.



Features

- Easy-to-navigate and intuitive interface with simple menu configuration
- Waveform Display of Test pressure and Differential pressure
- Influence of noise generated in the test on the part can be compensated, reducing test time.

- User selectable multi-language capability: English, Japanese and Chinese
- USB Port for easy test data management
- Closer placement of sensor section to the target capsule

Specifications

Differential Pressure	Resolution	0.1 Pa
	Display Range	±999.9 Pa, (Accuracy guaranteed range ±1000 Pa)
	Reading Accuracy	±2.5 % of rdg ±1 Pa, 50Pa or lower: ±2 Pa
Display Unit	Sensor Proof Pressure	5 MPa
	Test Pressure	kPa, MPa (kg/cm ² , PSI, bar, mmHg, etc.)
	Leak	Pa, kPa, mL/s, mL/min, L/min, Pa m ³ /s, E-3 Pa m ³ /s, Pa/s, Pa/min, *Pa/s, *Pa/min (mmH ₂ O, mmHg, inH ₂ O, etc.)
	K(Ve) (Leak coefficient)	mL, L (in ³ , ft ³)
	Leak Display	4 digits Sampling rate: 10 times/s
	Leak Limit	Up to ±999.9 Pa
	Number of Channels	32 channels (#0 to #31)
	Timers	Up to 999.9 s (Resolution: 0.1 s)
	Power Source	100 to 240 VAC ±10% at 50/60 Hz, 70 VA max
	Ambient Temperature	5 to 45 °C
	Humidity	80 %RH or less / No dew condensation
	Mass	Controller: Approx.. 2.6 kg Pneumatic unit: Approx.. 4.4 kg

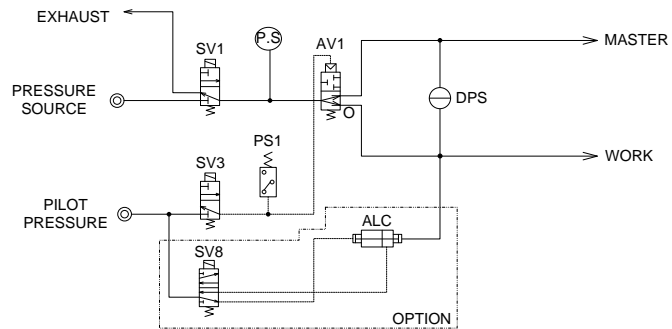
Test Pressure source	Clean air regulated to the test pressure. The source pressure must be sufficiently higher than the test pressure.	
Pilot Pressure	Setting range: 400 to 700 kPa	
Port Size	Ø6 mm one-touch joint: Pilot pressure source, Test pressure source Special joint: WORK and MASTER ports	
CPU	SH-2A 144 MHz, DRAM8MB	
RS-232C (D-sub 9 pins)	I/F fixed length	Test parameters as well as test results are transmitted.
	ID/F fixed length	Only test results are transmitted.
	T/F fixed length	Only test results are transmitted.
	Others	Special formats
USB Port	Test data	Judgment, Leak, Test pressure, Channel#, Timers, etc.
	Test parameter	Test parameters of all the settings screens
Standard Accessories	Quick Mounting Brackets, Control I/O connector, Power cord, Inspection record, Operation manual CD, Traceability documents	

Model Classification

LS-R740SS-1 2 3 4 5

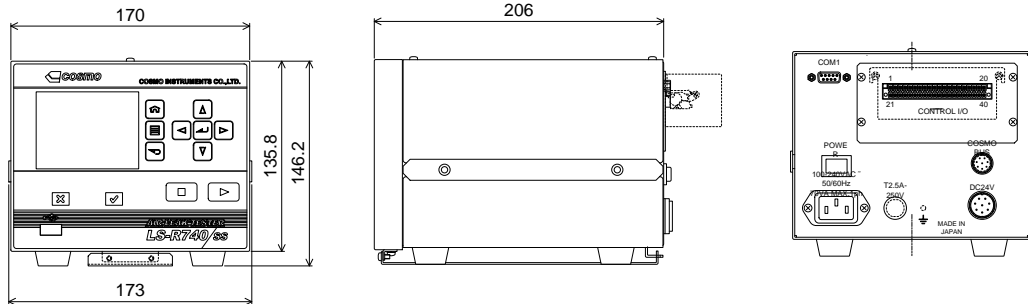
1	Test circuit	Y circuit	Y	Tester circuit with minimum internal volume
2	Test pressure	Low	L	Test pressure range: 10 to 100 kPa
		Medium	M	Test pressure range: 50 to 700 kPa
		Vacuum	V	Test pressure range: -5 to -100 kPa
3	Option	ALC 0.1	K01	Volume displacement: 0 to 0.1 mL
		ALC 0.01	K001	Volume displacement: 0 to 0.01 mL
		With Mounting Port for Leak Master	JX	Leak Master can be mounted.
		Panel mount	P	The controller is designed to be panel-mounted.
4	Sensor sensitivity	Ks = 0.005 mL/kPa	KX1	Standard
		Ks = 0.025mL/kPa	KX05	Option
5	Cable Length specified	Unit-to-unit cable 3 m	S3	Standard.
		Unit-to-unit cable 5 m	S5	Option.
		Unit-to-unit cable 10 m	S10	Option.

Pneumatic Circuit

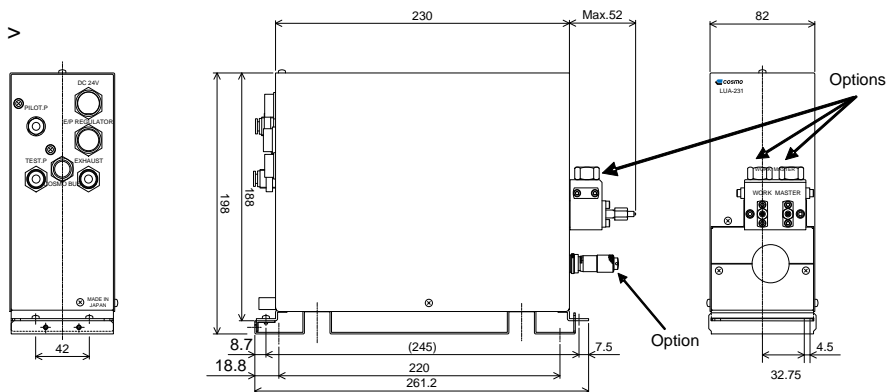


External Appearance

< Controller >



< Pneumatic Unit >



* The content in this product information is as of January 2017. The specifications are subject to change without prior notice.

Cosmo Instruments Co., Ltd.

2974-23 Ishikawa, Hachioji, Tokyo 192-0032 Japan

<http://www.cosmo-k.co.jp>

Phone: +81-(0)42-642-1357 Fax: +81-(0)42-646-2439

China: Cosmo (Shanghai) Trading Co., Ltd.	+86-(0)21-6575-6880
Shanghai, Tianjin, Guangzhou, Chongqing, Changchun, and Wuhan	
Korea: Cosmo Korea Co., Ltd.	+82-(0)32-623-6961
Taiwan: Taiwan Cosmo Instruments Co., Ltd.	+886-(0)2-2707-3131
Malaysia: Wave Electronics & Electrical System Sdn. Bhd.	+60-(0)3-51626677
Thailand: Cosmowave Technology Co., Ltd.	+66-(0)2-7361667
Indonesia: Pt. Cosmowave	+62-(0)21-42900043
Vietnam: Cosmowave Technology Co., Ltd. Vietnam Representative Office	+84-(0)47876085

India: Cosmo Instruments India Pvt. Ltd. Head Office	+91-(0)124-421-0946
Cosmo Instruments India Pvt. Ltd. South Zone Regional Office	+91-(0)9663384423
Cosmo Instruments India Pvt. Ltd. Pune - Chakan Office	+91-(0)20-6933-2345
Germany: Cosmo EU Solutions Technology GmbH	+49-(0)212-383671-71
UK: Fletcher-Moorland Ltd.	+44-(0)1782-411021
USA: Cosmo Solutions Technology, Inc.	+1-248-488-2580
Mexico: Cosmo De Mexico	+52 472 748 62 94
Brazil: Tex Equipamentos Eletronicos Ind. Com. Ltda.	+55-(0)11-4591-2825
Australia: Industrial Research Technology Pty. Ltd.	+61-(0)412-176-674