

PRODUCT INFORMATION

Air Leak Tester for sealed products



**LS-R740
WL**

LS-R740WL tests the airtightness of sealed products. The part to be tested is placed in a capsule and pressurized to measure the pressure change caused by leak flowing into the part.



Features



Easy-to-navigate and intuitive interface with simple menu configuration



Waveform Display of Test pressure and Differential pressure



Easy volume compensation when the tested part and the reference part have a volume difference.



User selectable multi-language capability: English, Japanese and Chinese



USB Port for easy test data management



Closer placement of sensor section to the target capsule

Specification

Differential Pressure	Resolution	0.1 Pa
	Display Range	±999.9Pa, (Accuracy guaranteed range ±1000Pa)
	Reading Accuracy	±2.5% of rdg ±1Pa, 50Pa or lower: ±2Pa
Display Unit	Sensor Proof Pressure	5 MPa
	Test Pressure	kPa, MPa (kg/cm ² , PSI, bar, mmHg, etc.)
	Leak	Pa, kPa, mL/s, mL/min, L/min, Pa m ³ /s, E-3 Pa m ³ /s, Pa/s, Pa/min, *Pa/s, *Pa/min (mmH ₂ O, mmHg, inH ₂ O, etc.)
	K(Ve) (Leak coefficient)	mL, L (in ³ , ft ³)
	Leak Display	4 digits Sampling rate: 10 times/s
	Leak Limit	Up to ±999.9 Pa
	Number of Channels	32 channels (#0 to #31)
	Timers	Up to 999.9 s (Resolution: 0.1 s)
	Power Source	100 to 240 VAC ±10% at 50/60 Hz, 70 VA max
	Ambient Temperature	5 to 45°C
	Humidity	80 %RH or less / No dew condensation
	Weight	Controller: about 2.6 kg Pneumatic unit: about 11 kg

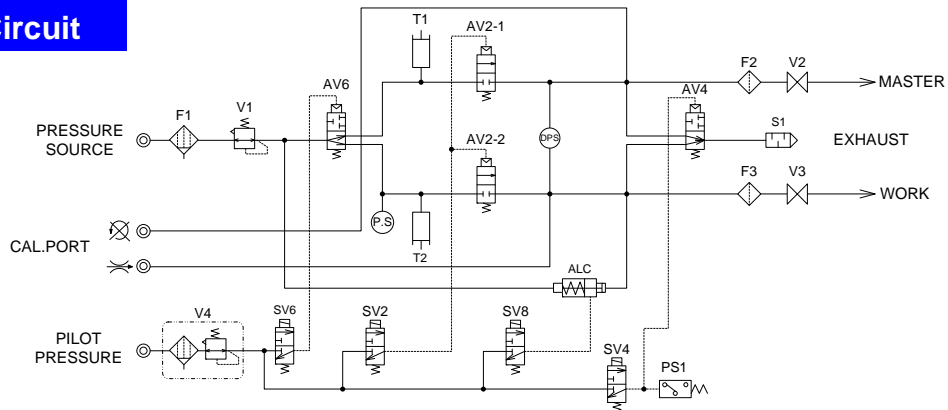
Test Pressure Source	Clean air regulated to the test pressure. The source pressure must be sufficiently higher than the test pressure.	
Pilot Pressure	Set using the pilot pressure filter regulator mounted. Range: 400 to 700kPa	
Port Size	Rc(PT) 1/4: (Air pressure source, WORK and MASTER ports) Pilot pressure source	
CPU	SH-2A 144MHz, DRAM8MB	
RS-232C (D-sub 9 pins)	ID2 format	Limit values as well as Large Leak limit and Small Leak limit are transmitted.
	L2 format	L-DET and S-DET test results are transmitted
	Others	Four formats
USB Port	Test data	Judgment, Leak, Test pressure, Channel#, Timers, etc.
	Test parameter	Test parameters of all the settings screens
Calibration / Maintenance Ports	M10 x 1.5 (O ring seal)	
Standard Accessories	Test pressure regulator and filter, Pilot pressure filter regulator, Quick Mounting Brackets, Control I/O connector, Power cord, Inspection record, Operation manual CD, Traceability documents	

Model Classification

LS-R740WL-1 2 3 4

A		Tank Type	C100	Tank 100 mL
B	Test Pressure	Low	L	Test pressure range: 10 to 100 kPa
		Medium	M	Test pressure range: 50 to 700kPa
		Vacuum	V	Test pressure range: -5 to -100 kPa
C	Option	Auto Leak Calibrator	K1	ALC-1
		Nylon Filter Housing	K4	ALC-4
			RX02	Filter housing for the pilot pressure port is nylon.
		DPS Range	D4	Range: ± 10 kPa, Display range: ± 10 kPa, Minimum display: 1Pa
		NPT Fittings	PX1	The screw of connecting port is NPT.
		Panel-Mount	P	The controller is designed to be panel-mounted.
D	Cable Length Specified	Unit-to-unit cable 3 m	S3	Standard
		Unit-to-unit cable 5 m	S5	Option
		Unit-to-unit cable 10 m	S10	Option

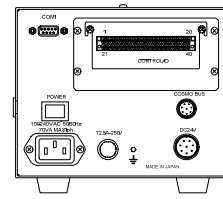
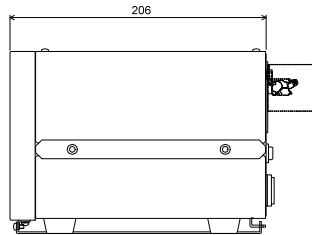
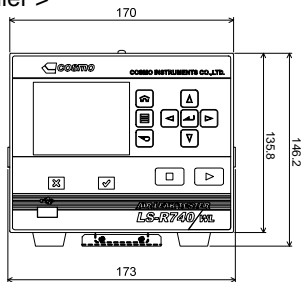
Pneumatic Circuit



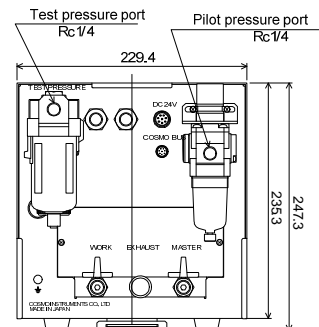
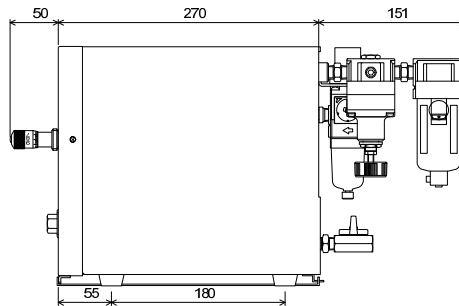
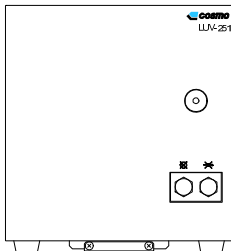
Solenoid valve	DL1	L-CHG	L-BAL	L-DET	S-CHG	DL2	S-BAL	S-DET	BLW	EXH	END
SV2											
SV4											
SV6											

External Appearance

< Controller >



< Pneumatic Unit >



* The contents in this PRODUCT INFORMATION are as of April 2015. The specifications are subject to change without prior notice.

Cosmo Instruments Co., Ltd.

<http://www.cosmo-k.co.jp/>

Head Office:

2974-23 Ishikawa, Hachioji, Tokyo 192-0032
Phone: +81-(0)42-642-1357 Fax: +81-(0)42-646-2439

Overseas Contact:

China, Korea, Taiwan, Malaysia, Thailand, Indonesia
Vietnam, India, Germany, UK, USA, Mexico, Brazil, Australia