



LZ-R155

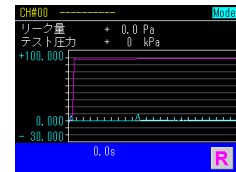
Leak Tester for Sealed Works

Enhanced data collection



Capture data through RS-232C port to your PC while testing. Also, collect data via USB port.

Color LCD



Check the waveforms of test pressure and leak during leak test. Language switchable.

■ Overview

All-in-one leak tester suitable for small, sealed works. Ideal for waterproof test of parts and finished products that require IP ratings. By just setting the work, the internal clamping mechanism automatically clamps the work for leak testing. Smaller, lighter and easier to use than previous models.

■ Works



■ Features



Display icons

Easy operation with icons.



Low running costs

Uses clean air. No need for pre- and post-test processing such as drying.



Suitable for various works

The capsule is replaceable, so the tester can be used for a wide variety of works.



Judgment lamp

Check the test results with the easy-to-see lamp.



Differential Pressure Sensor

High-performance DPS and AD converter realize a DP resolution of 0.1 Pa.



High-durability air valves

Air valves for Air Leak Testers ensure stable measurement and durability.



Gross leak test

Testing electronic parts in combination with a helium detector achieves leak testing without dead zones.

■ Functions

Display	3.5-inch color LCD
Leak limit setting	Two-level limit setting: Work Large/Small NG (HH/Hi-NG) Master Large/Small NG (LL/Lo-NG)
Drift Compensation	Mastering, Auto Drift Compensation
Self-check	Air operated valve operation, Sensor offsets, CPU operation, etc.
Mastering Request	Max Idle Time, Day of Week,
Signal output	Interval, Iteration
Multiple Channels	Channel no. (0 to 31), Channel Copy

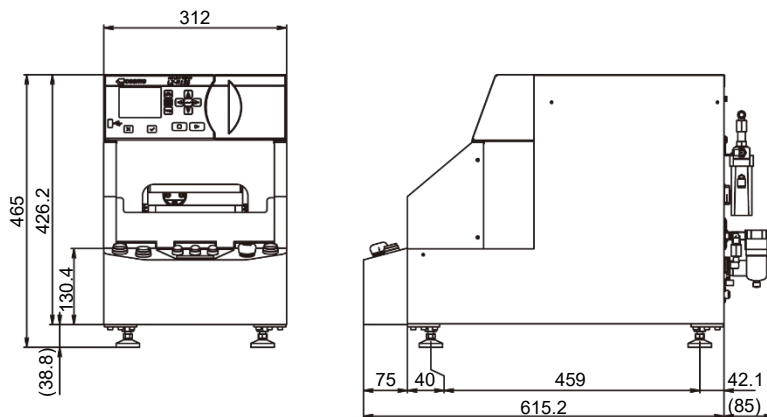
Unit selection	Leak	Pa, kPa, mL/s, mL/min, L/min, Pa·m ³ /s, E-3 Pa·m ³ /s, Pa/s, Pa/min, *Pa/s, *Pa/min (Non-SI units: mmH ₂ O, mmHg, inH ₂ O, etc.)
	Test Pressure	kPa, MPa (Non-SI units: kg/cm ² , PSI, bar, mmHg, etc.)
	Equivalent Internal Volume	mL, L (Non-SI units: in ³ , ft ³)
DET Judgment Timing		End of DET, Abort at Limit
Serial communication		Format selection (T/ID/P/D/L2/ID2), Baud rate change

■ Specifications

Differential Pressure	Minimum resolution	0.1 Pa
	Display range	± 999.9 Pa (Accuracy guaranteed range ±1000 Pa)
	Range	±2.5% of rdg ±1 Pa, 50 Pa or less: ±2 Pa
Display units	Sensor overpressure	5 MPa
	Test pressure	kPa, MPa (PSI, kg/cm ² , bar, mbar, mmHg, cmHg, inHg)
Leak	Leak	Pa, kPa, mL/s, mL/min, L/min, Pa·m ³ /s, E-3 Pa·m ³ /s, Pa/s, Pa/min, *Pa/s, *Pa/min (mmH ₂ O, inH ₂ O, mmHg, in ³ /min, in ³ /d, ft ³ /h)
	Leak display	4 digits, Sampling rate 10 times/s
Leak limits		± 999.9 Pa or less
Number of Channels		32 ch (0 to 31)
Timer setting range		999.9 s (Resolution: 0.1 s)
Power source		100 to 240 VAC ±10%, 50/60 Hz, 100 VA max (The included power cable must be used at 125 VAC or less) (Internal solenoid power source 24 VDC)
Test pressure source		Use clean air sufficiently higher than the test pressure.

Pilot pressure source		Use clean air in the range of 400 to 700 kPa.
Port size		Rc 1/4 (Pressure source, Work and Master ports, Pilot pressure port)
CPU		SH-2A 144 MHz DRAM 8 MB
Environmental temperature		5 to 40 °C
Humidity		80 %RH or less / no dew condensation
Weight		Approx. 36 kg
Serial port	ID2 Format	Outputs data on leak limits as well as large and small leaks.
	L2 Format	Outputs L-DET and S-DET leak data.
	Others	Four types
USB	Data	Judgment, Leak, Test pressure, CH#, Timers, etc.
	Parameter output	Test parameters of all settings screens
Standard fittings and accessories		Filter regulator for pilot pressure, Interface connectors, Power cable (3 m), Inspection Record, Operation Manual
Optional accessories		High voltage power cable (250 V 2 m), Parameter sheet for export

■ External Appearance



The contents in this Product Information are as of October 2024. Specifications are subject to change without notice.

Cosmo Instruments Co., Ltd.

2974-23 Ishikawa, Hachioji, Tokyo 192-0032 Japan

<http://www.cosmo-k.co.jp/>

Phone: +81-(0)42-642-1357 Fax: +81-(0)42-646-2439

China: Cosmo Instruments (China, Jiaxing) Co., Ltd.	+86-(0)573-82800886
Shanghai Office, Tianjin Office, Guangzhou Office, Chongqing Office, Changchun Office, Wuhan Office	
Korea: Cosmo Korea Co., Ltd. Incheon Office	+82-(0)32-623-6961
Changwon Office	
Taiwan: Taiwan Cosmo Instruments Co., Ltd.	+886-(0)2-2707-3131
Taichung Office	
Malaysia: COSMOWAVE SDN. BHD.	+60-(0)3-51626677
Thailand: Cosmowave Technology Co., Ltd.	+66-(0)2-7361667
Indonesia: Pt. Cosmowave	+62-(0)21-89328750

Vietnam: Cosmowave Vietnam Co., Ltd.	+84-(0)24-37876085
India: Cosmo Instruments India Pvt. Ltd. Head Office	+91-(0)124-421-0946
South Zone Regional Office, Pune - Chakan Office, Chennai Office, Gujarat Office	
Germany: Cosmo EU Solutions Technology GmbH	+49-212-38367171
USA: Cosmo Solutions Technology, Inc.	+1-248-488-2580
Mexico: Cosmo De Mexico, Silao Office	+52 (472) 117-2157
Monterrey Office	
Brazil: Tex Equipamentos Eletronicos Ind. Com. Ltda.	+55-(0)11-4591-2825
Australia: Industrial Research Technology Pty. Ltd.	+61-(0)412-176-674