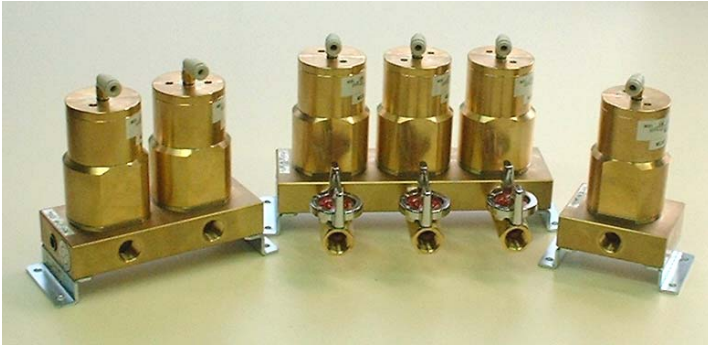


NL-S2 Series

NON-LEAK SELECT VALVE



FEATURES

- ★ Perfect for Air leak test circuits.
- ★ Number of valves are selectable among Single, Dual and Triple.
- ★ Valve type can be selected from Normally open and Normally close.
- ★ Air filter is attached to each port.
- ★ Stop Valve can be attached to each port upon request

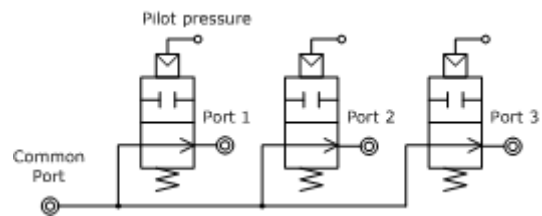
SPECIFICATIONS

Pressure Range	Middle Pressure: 0 to 800 kPa Vacuum Pressure: 0 to -100 kPa
Connection	Rc 1/4 (PT-1/4 Female)
Orifice Diameter	Φ5
Leak Threshold	Less than 0.007 mL/min
Pilot Pressure	400 to 700 kPa One-touch fitting for 4mm tube is attached to the port.

CIRCUIT EXAMPLE

NL-S2-30M

(Triple valves, Normally open, Medium pressure)

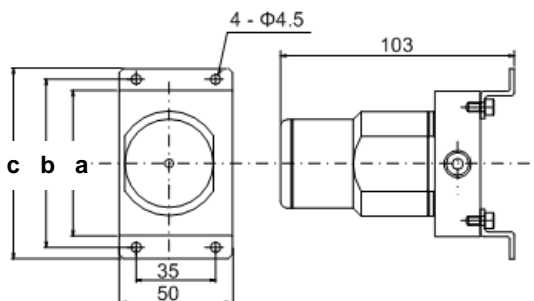


MODEL CLASSIFICATIONS

NL-S2 - **A B C** - **D**

A: Number of valves	1: Single valve	2: Dual valves	3: Triple valves
B: Spec	0: Normally Open 1: Normally Close	0: Normally Open 1: Normally Close 2: NO and NC 1 each	0: Normally Open 1: Normally Close
C: Pressure	M: Medium Pressure V: Vacuum		
D: Optional Spec	B: Each port comes with a stop valve		

EXTERNAL APPEARANCE



	Single	Dual	Triple
a	64	114	164
b	74	124	174
c	84	134	184

[mm]

* The content of this product information is as of May 2014. The specification is subject to change without prior notice.

Cosmo Instruments Co., Ltd.

Head Office:

2974-23 Ishikawa, Hachioji, Tokyo 192-0032
Phone: +81-(0)42-642-1357 Fax: +81-(0)42-646-2439

<http://www.cosmo-k.co.jp/>

Overseas Contacts:

China, USA, Korea, Taiwan, Malaysia, Indonesia, Thailand, Vietnam, India, Brazil, Germany, Australia, UK